

BOSS ALUMINIUM

CHEVY CAB RACK





DESIGNED TO SUIT CHEVROLET SILVERADO TRUCKS

MODULAR RACK SYSTEM



Built for real touring and work use, the Boss Aluminium Chevy Cab Rack is a purpose built, modular cab rack system engineered specifically for Silverado fitment.

Designed and manufactured 100% in-house from marine grade alloy, this rack delivers high strength, low weight, and long-term corrosion resistance.

The rack features 5mm thick side plates and heavy duty T-nut extrusion cross rails for excellent load handling and easy accessory mounting. Every component is precision laser cut, folded, treated, and finished in a durable powder coat, with stainless steel fasteners used throughout for long-term reliability.

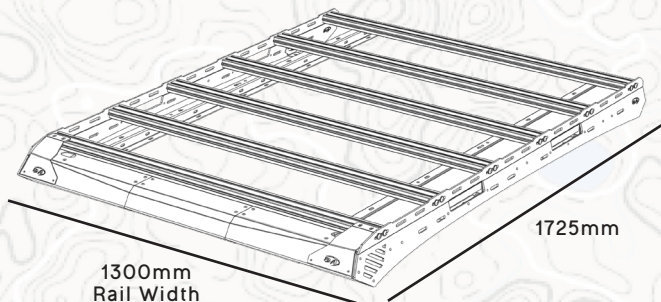
OPTIONAL LIGHTING



Developed using advanced 3D vehicle scanning and CAD modelling, the Boss Chevy Cab Rack is built to fit cleanly, perform under load, and support an evolving setup. The modular design allows you to add, move, or upgrade accessories over time to suit your touring or work requirements.

Stedi 7.8" Micro Touch Dual Colour side lighting is included as standard with the rack in a neat, plug and play fitment, while the front mount is compatible with a wide range of light bar brands and styles.

DIMENSIONS



PRICING

ALL PRICING \$AUD, GST INCLUDED

Boss Aluminium Chevy Cab Rack - Base Model <small>VEH-AME-CHEV-RR</small>	\$3300
Stedi ST3K 41.5 Inch Slim Light Bar - FRONT MOUNT (Optional) <small>ELE-RR-UNI-FLBA</small>	\$450

CAB RACK WIRING LOOM AVAILABLE (ELE-RR-UNI-DCL)

BOSS ALUMINIUM

+61 3 9729 3092
sales@bossaluminium.com.au
bossaluminium.com.au
13.3.26



Note: Load rating is vehicle-limited. Do not exceed the roof or gutter load limits in the vehicle owner's manual. Rack weight varies by model and accessories.